

# Soft Pack DataSheet (Evaluation version)

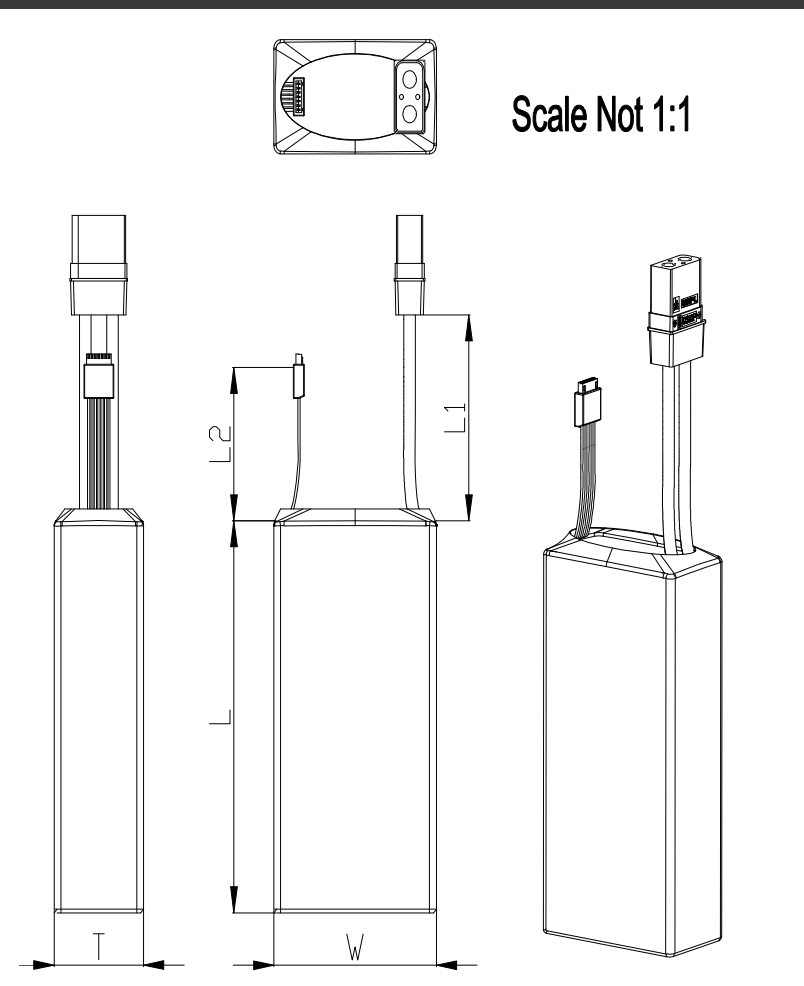
REV: A0  
DATE: 2026/3/3

**PS3 Serie      Model      FBC10171170PS3- 6S1P**

## Specifications

Typical Capacity (Ah)	20.0	Dimensions	Thickness (mm)	≤65.5
Nominal Capacity (Ah)	19.2		Width (mm)	≤74
Nominal Voltage @0.2C (V/pack)	21.6		Length (mm)	≤180
Typical Energy (Wh)	432	Nominal Discharge	Current (C/A)	1C/20A
AC-Impedance at 1KHz (mΩ)	≤ 19		Cut-off Voltage (V/pack)	15
Continuous Discharge Power (W)	2808	Max Discharge Current	Continuous 60s @ 25±2°C (A)	130
Burst Discharge Power (W)	3888		Burst 10s @ 25±2°C (A)	180
Charge cut off Voltage (V/cell)	4.2	Temperature Condition	Charge	0°C~10°C 0.2C 10°C~20°C 0.5C 20°C~35°C 1.0C 35°C~45°C 0.5C°C
Charge cut off Voltage (V/pack)	25.2			Discharge
Max.Charge Current	1C/20A		Storage	≤ 1month
			> 1months	-20~30°C
Approx. Weight (g)	1602	Limit Temperature	Charge	0°C~55°C (Cell Surface Temperature)
			Discharge	-20°C~85°C (Cell Surface Temperature)

## Dimensions(mm)



Plug2	Plug1
JST-XHP-7P Reversed	QS8P-L-F AWG 3239 8#

Product parameters	
Items	Standard
Thickness(T)	≤65.5 mm
Width(W)	≤74 mm
Length(L)	≤180 mm
Length(L1)	100±10 mm
Length(L2)	60±10 mm
PVC	Yellow